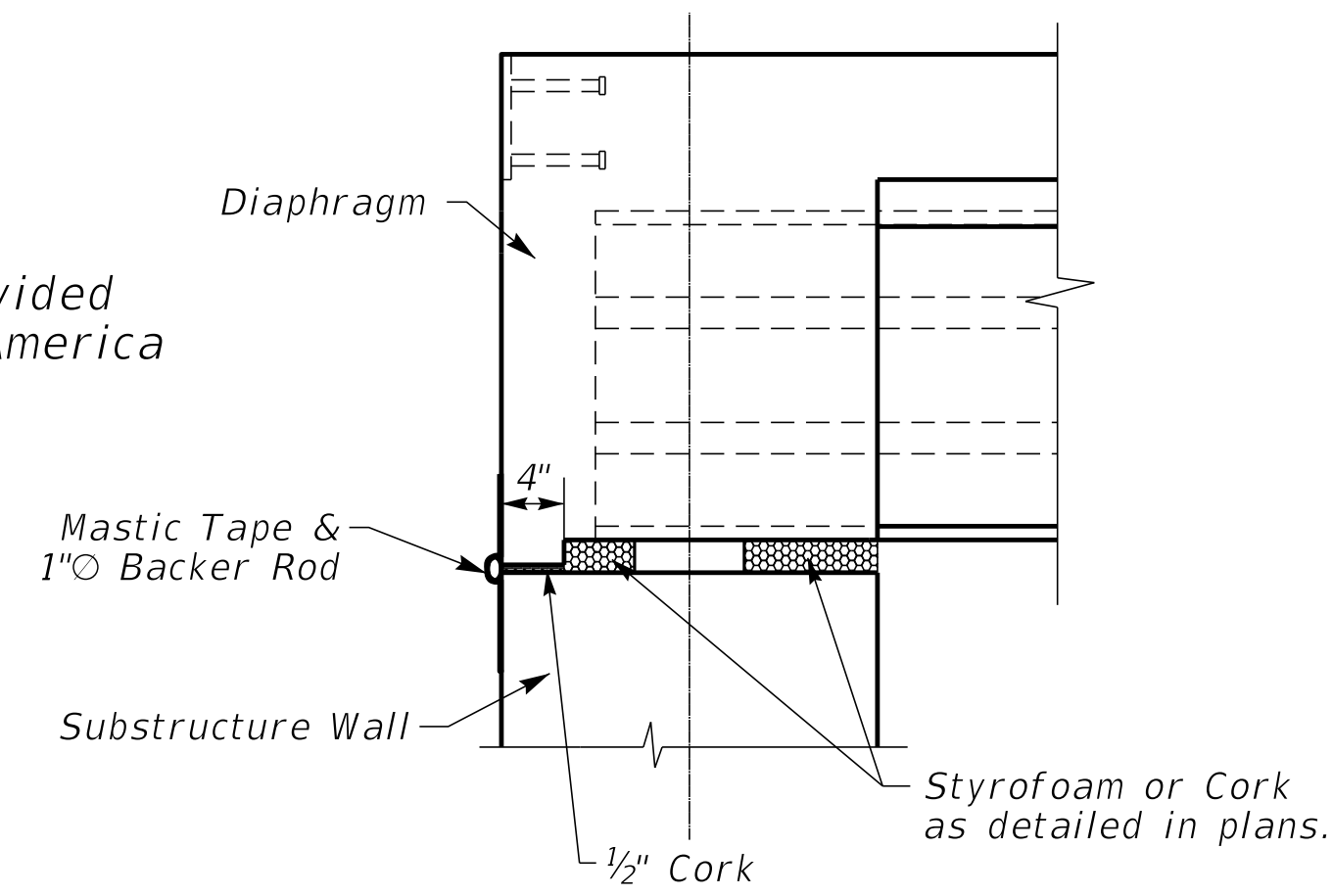
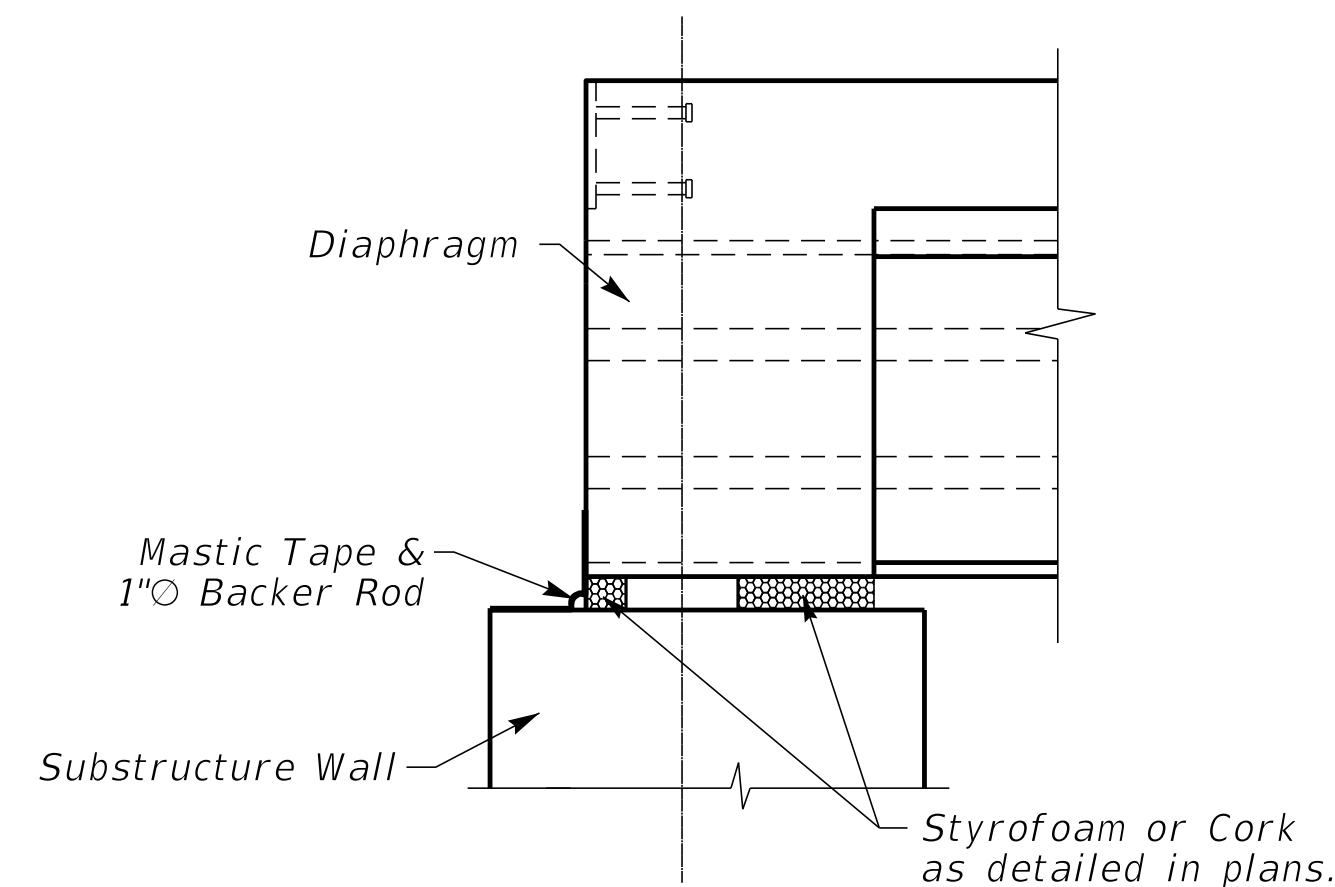


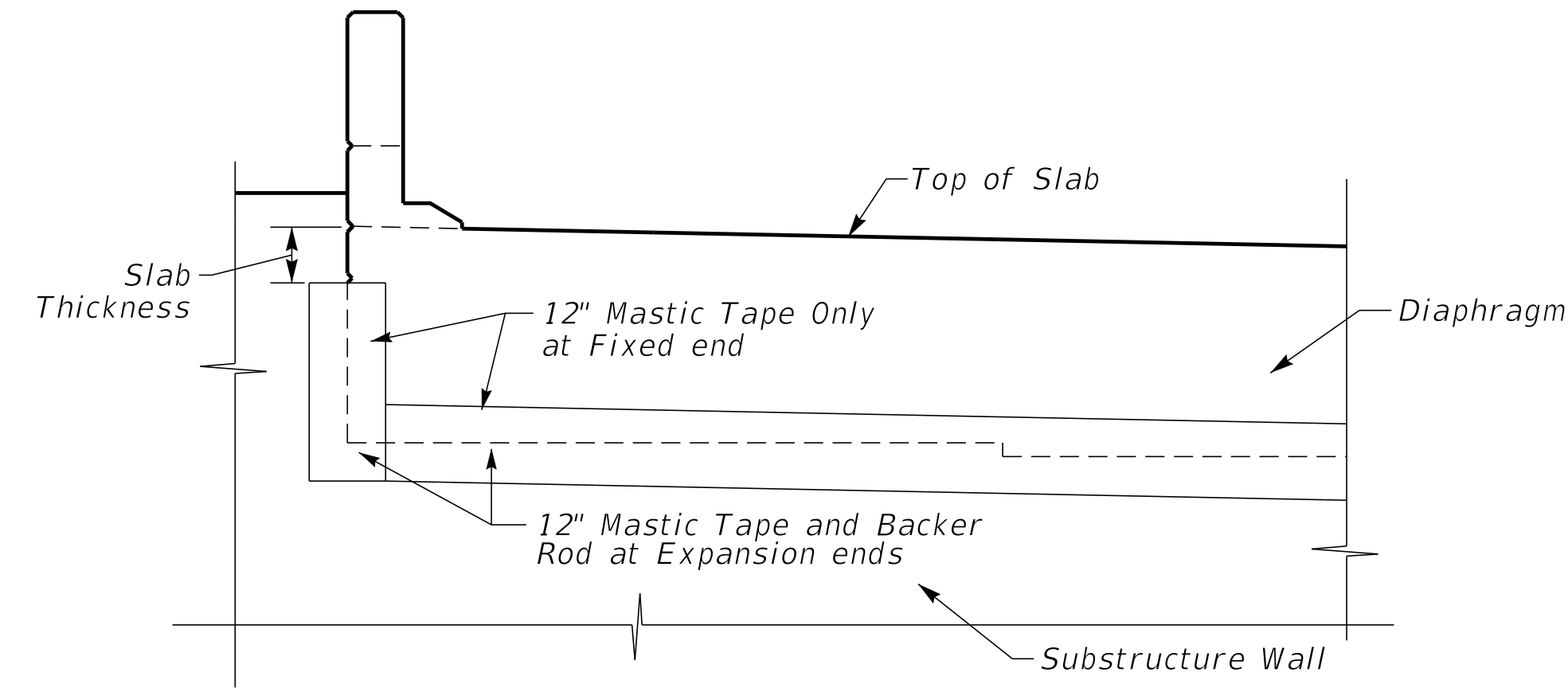
*Expansion Joint Material:
 AASHTO M153
 Type-I Sponge Rubber
 Type-II Cork permitted with contractor provided
 documentation that the Build America Buy America
 requirements are satisfied.



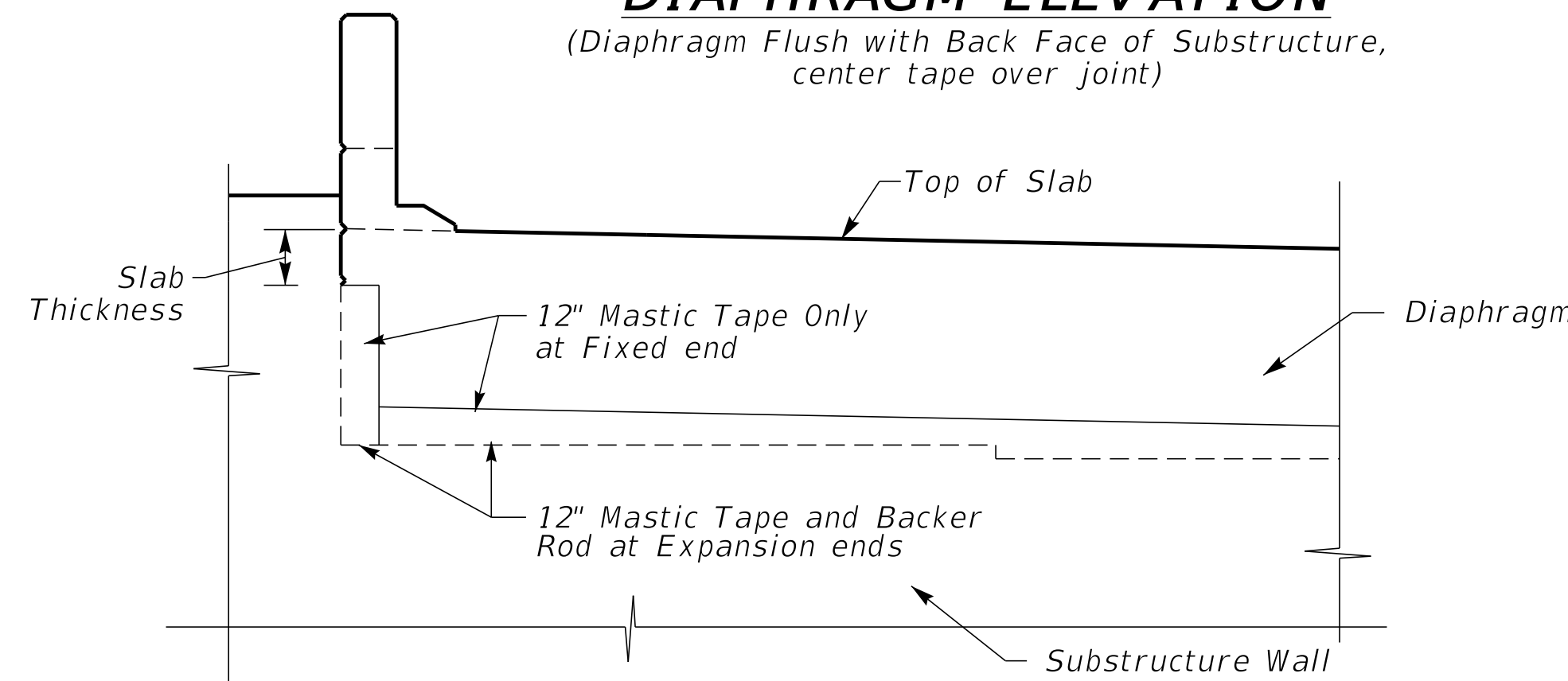
EXPANSION END
 (Flush Diaphragm and Substructure)



EXPANSION END
 (Offset Diaphragm and Substructure)



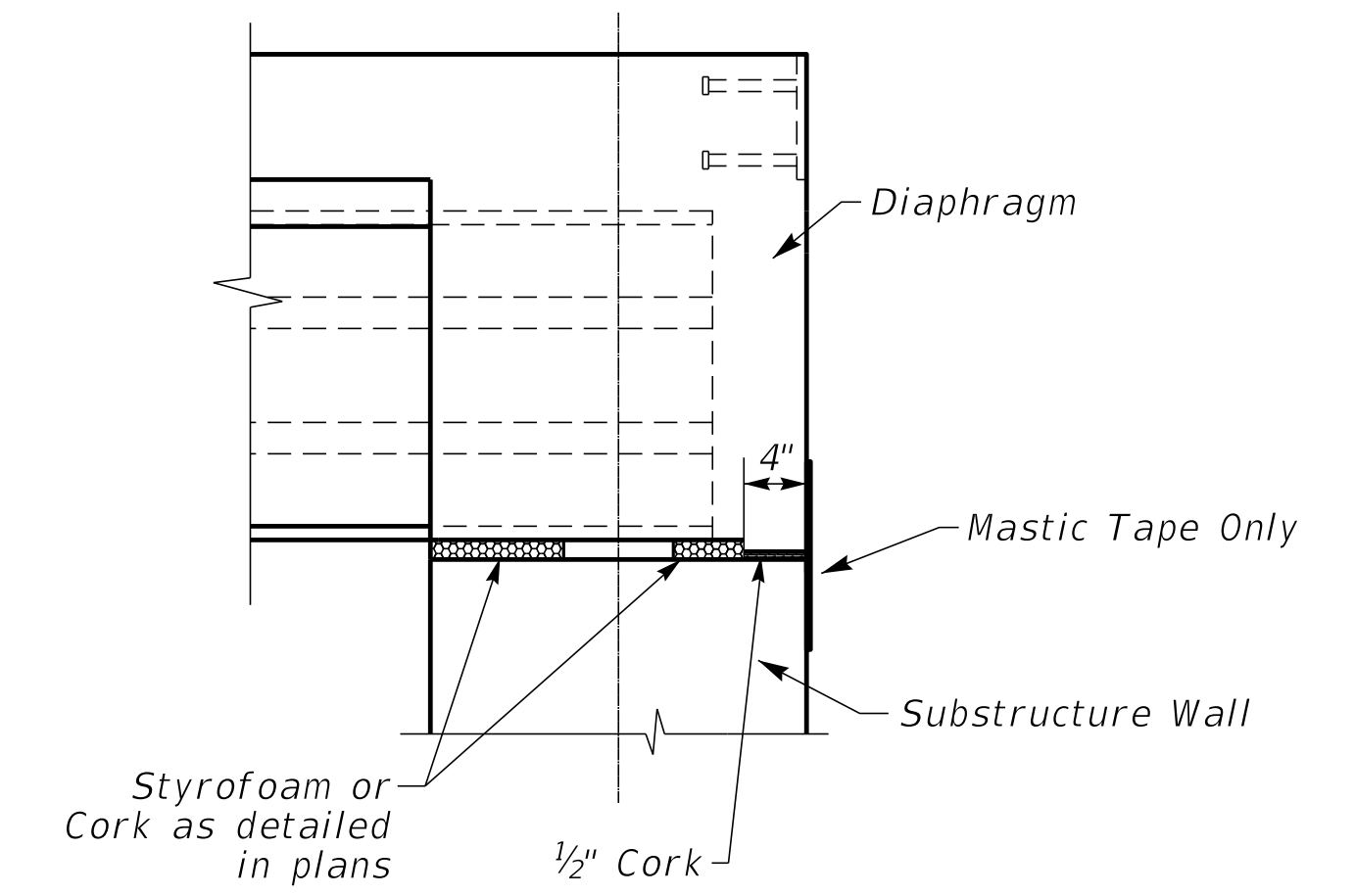
DIAPHRAGM ELEVATION
 (Diaphragm Flush with Back Face of Substructure,
 center tape over joint)



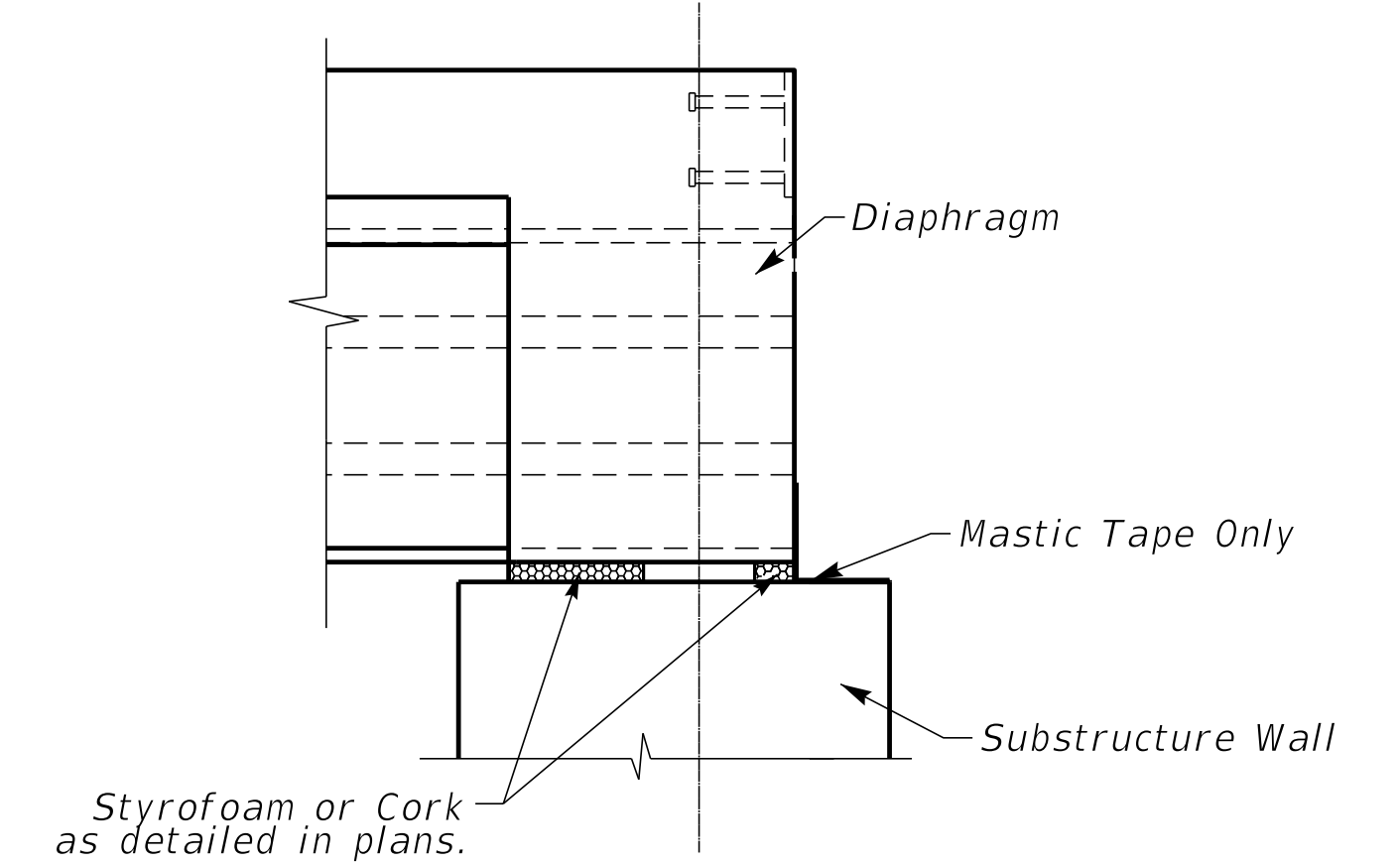
DIAPHRAGM ELEVATION
 (Offset Diaphragm and Substructure)

MASTIC TAPE APPLICATION AT BRIDGE ENDS

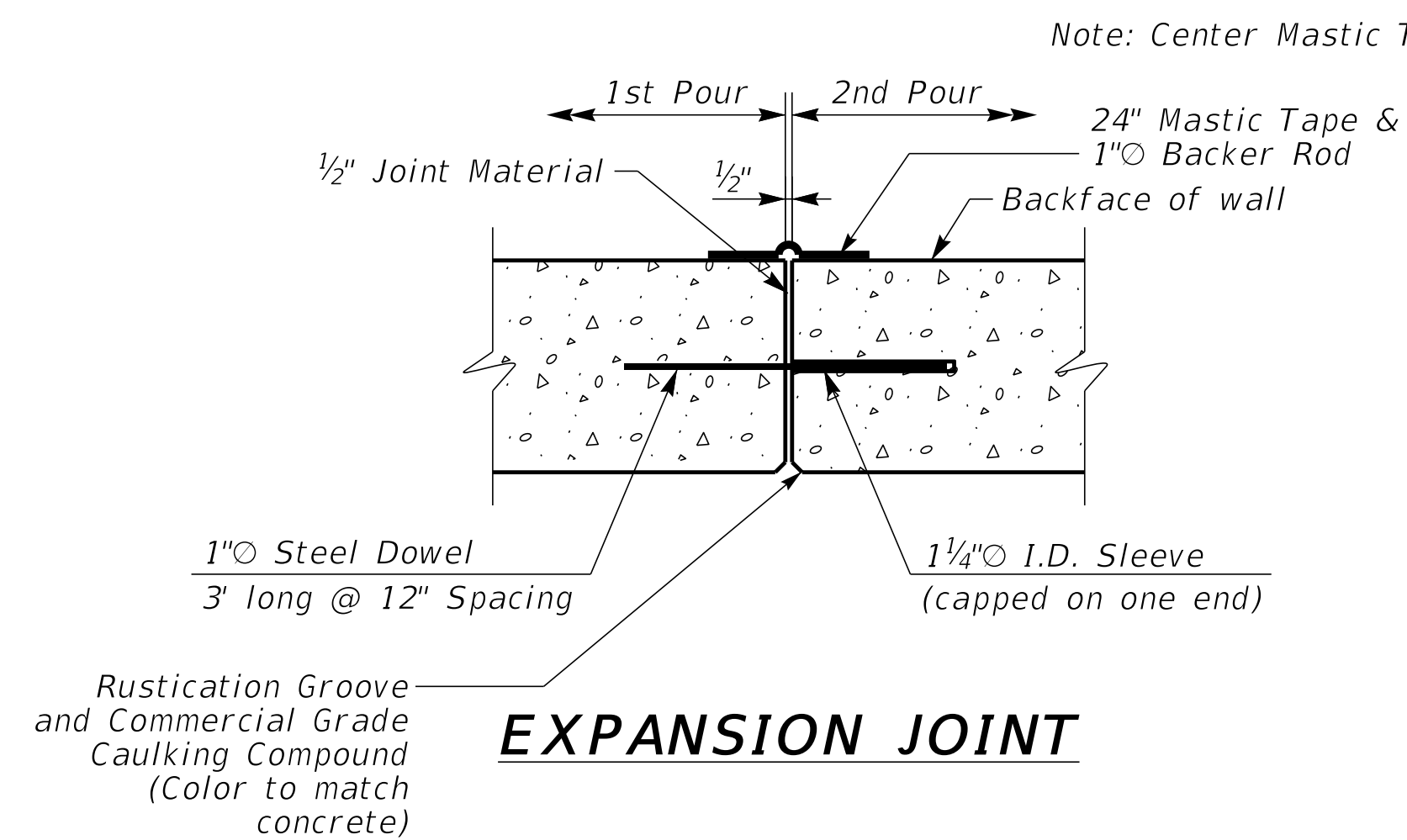
The cost of labor, materials, and incidental items for furnishing and installing Mastic Tape shall be considered incidental to the unit price bid for Concrete Class 'AA' and no separate measurement or payment shall be made.



FIXED END
 (Flush Diaphragm and Substructure)

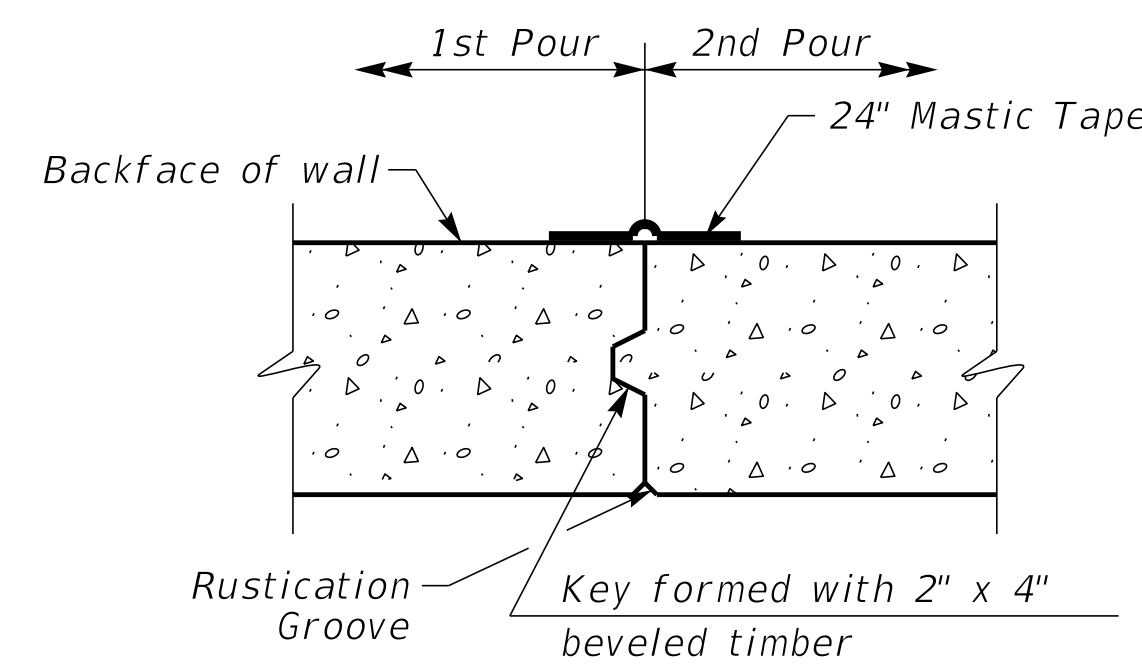


FIXED END
 (Offset Diaphragm and Substructure)



EXPANSION JOINT

NOTE:
 Maintain 2 inch clearance from ends
 of Longitudinal reinforcement to edge
 of expansion joint.



CONTRACTION JOINT

GENERAL NOTES

MASTIC TAPE: Mastic Tape used to seal joints is to meet the requirements of ASTM C-877 Type I, II, or III. The joint is to be covered with 12-inch wide mastic tape. Prior to application, the joint surface shall be clean and free of dirt, debris, or deleterious material. Primer, if required by the tape mfg., shall be applied for a minimum width of nine inches on each side of the joint.

Mastic Tape shall be either:

- EZ-WRAP RUBBER by PRESS-SEAL GASKET CORPORATION,
- SEAL WRAP by MAR MAC MANUFACTURING CO. INC. ,
- CADILLOC by the UP RUBBER CO. INC.
- or approved equal.

Mastic Tape shall cover the joint continuously unless otherwise shown in the plans. Mastic Tape shall be spliced by lapping a minimum of six inches and in accordance with the mfgs. recommendations with the overlap running downhill.

All preformed expansion joint material, caulking, mastic tape, pipe sleeve and equipment and labor necessary to complete the joints are incidental to the square foot bid for Retaining Walls.

SUBMITTED *Michael Crist* 10/25/2024
 DIVISION DIRECTOR DATE